

MECHANICAL BRAKE

MEDIUM DUTY

400M

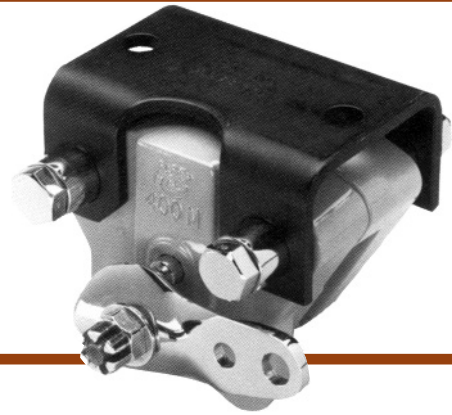
FEATURES:

- Capable of 1,000 lbs. of clamp force.
- Constructed of lightweight die cast aluminum.
- Available with floating mount bracket or can be fix mounted.
- Wide range of levers/cams are available.
- Easily adapted to various rotor thicknesses.
- Both CW and CCW lever actuation.

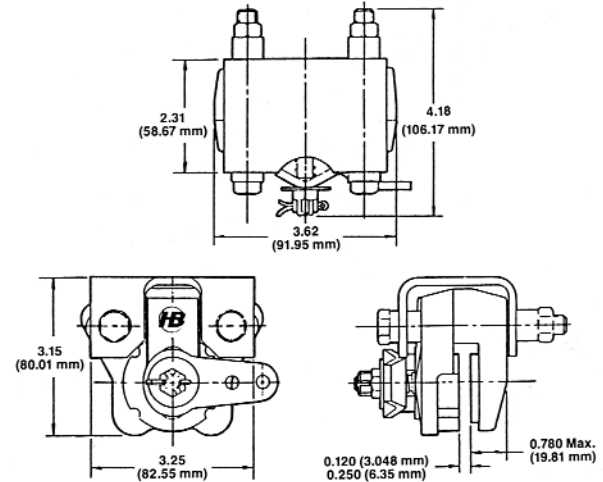
TYPICAL SPECIFICATIONS:

Series.....	400M
Rotor Diameter	6 to 15 in.
Rotor Thickness	0.120 to .250 in.
Maximum Lever Force (22° cam with 1.81" Hole)	150 lbs.
Lining Type	non asbestos organic
Total Lining Area	3.5 sq. in.
Usable Lining Thickness Per Pad	0.14 in.
Lever Position	45 degree increments
Weight With Bracket	2 lbs.

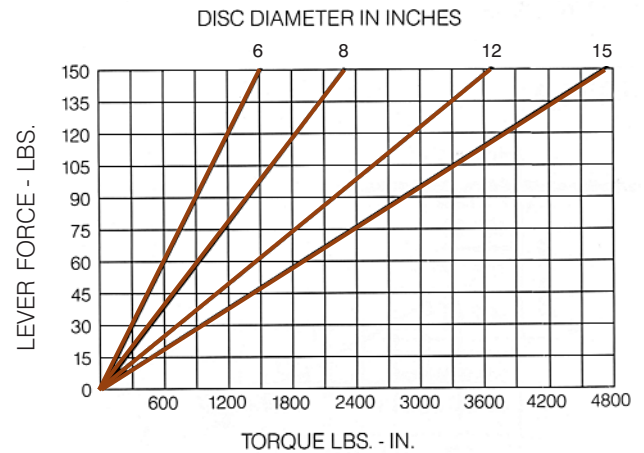
Specifications are guidelines only and subject to change. Consult HB for specific model, part number and assembly drawings.



REFERENCE DIMENSIONS:



TORQUE INFORMATION:



$$\text{Formula: } T = 13.4 \mu F \left(\frac{\text{DIA}}{2} - 0.812 \right) \text{ for 1.81" Lever with 22° Cam}$$

T = developed torque in lbs-in. DIA = diameter of rotor in inches
 F = applied lever force in lbs. μ = friction coefficient, assume 0.35



HB Performance Systems Inc.
 5800 West Donges Bay Road
 Mequon, Wisconsin 53092
 Phone (262) 242-4300
 Fax (262) 242-0524
 www.hbpsi.com

Printed in USA