

HYDRAULIC BRAKE

TWO PISTONS OPPOSED MEDIUM DUTY

2-41-1S

FEATURES:

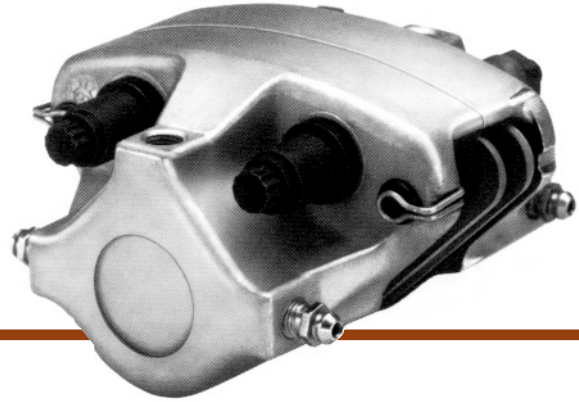
- Capable of 3,100 lbs. of clamp force.
- Economically constructed with die cast aluminum housing.
- Choice of side fix mount lugs or top mount bracket.
- Utilizes internal transfer port with o-ring seal.
- Square seal piston retraction for constant running clearance.
- Three bleeder and inlet location options.
- Available for either hydraulic or brake fluid application.

TYPICAL SPECIFICATIONS:

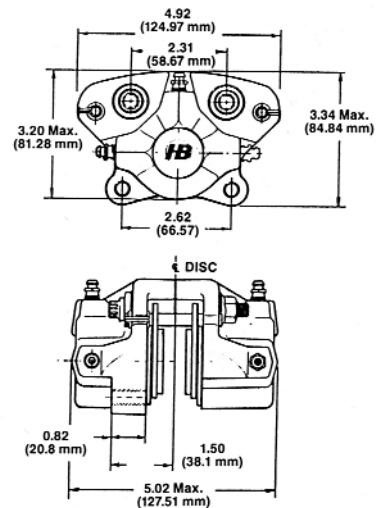
Series	2-41-1S
Rotor Diameter	6 to 20 in.
Rotor Thickness	0.100 to 0.375 in.
Piston Diameter	1.622 in.
Maximum Hydraulic Pressure	1500 psi
Fluid Displacement @ 1500 PSI	0.161 cu. in.
Fluid Type	Brake Fluid DOT 3 & 5 or Hydraulic Oil
Fluid Inlet	3/8-24 thread with 3/16" inverted flare
Bleeder (either side)	3:00, 9:00 or 12:00
Lining Type	non asbestos organic or sintered
Total Lining Area	7.30 sq. in.
Usable Lining Thickness Per Pad	0.175 in.
Weight	4 lbs.

Note: The same seals cannot be used for both Brake and Hydraulic fluid. Either Brake or Hydraulic fluid must be specified.

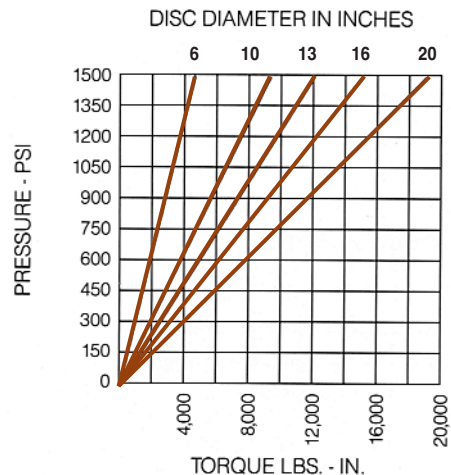
Specifications are guidelines only and subject to change. Consult HB for specific model, part number and assembly drawings.



REFERENCE DIMENSIONS:



TORQUE INFORMATION:



$$\text{Formula: } T = 4.14 \mu P \left(\frac{\text{DIA}}{2} - 0.95 \right)$$

T = developed torque in lbs-in. DIA = diameter of rotor in inches
P = applied line pressure in psi μ = friction coefficient. assume 0.35



HB Performance Systems Inc.
5800 West Donges Bay Road
Mequon, Wisconsin 53092
Phone (262) 242-4300
Fax (262) 242-0524
www.hbpsi.com

Printed in USA