

# SPRING APPLIED HYDRAULIC RELEASE CHAMBER

## SPRING CHAMBER - HIGH PRESSURE

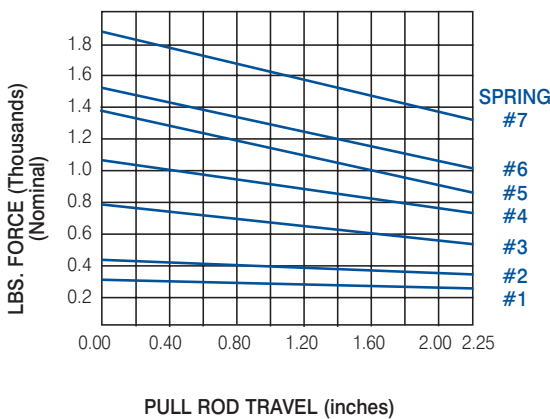
### FEATURES:

- Springs are permanently and safely sealed in corrosion resistant chamber.
- Only 2.76 cubic inches of fluid required for hold off.
- Designed for continuous system pressures up to 3,675PSI.
- Spring designed for less than 2% creep in normal applications.
- Minimal variation in spring force over entire 2.25 inch stroke.
- SAE J1453-6 O-ring face seal inlet.\*
- Sealed chamber prevents actuator and spring contamination.
- Ball socket push rod end minimizes binding and allows easy rotation for length adjustment and back off.
- Optional threaded rod or rod with clevis end available.
- For use with petroleum and synthetic hydraulic fluids.\*
- Weight is 13 lbs.

\* Consult Hayes for other options.

### TYPICAL SPECIFICATIONS:

SPRING/FORCE COMBINATIONS  
(Seven Standard Springs)

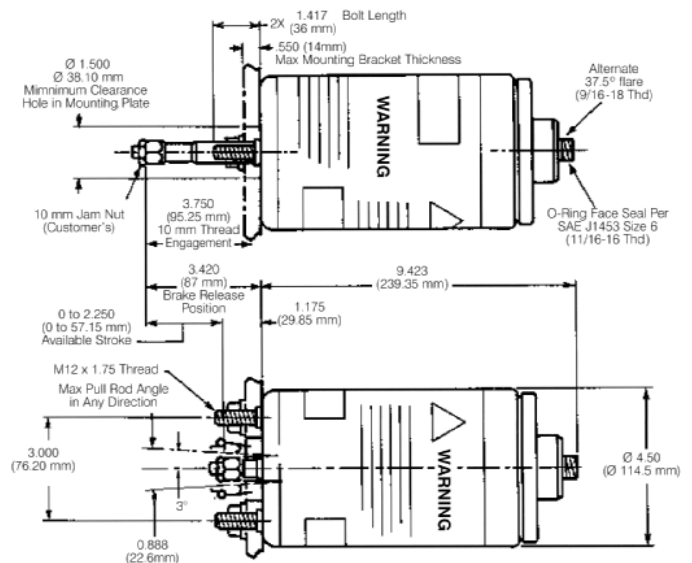


Note: Consult Factory about alternative hold off forces and maximum pressures.

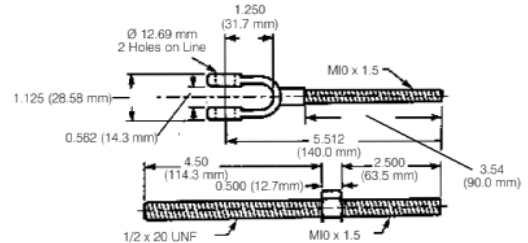
Specifications are guide lines only and subject to change. Consult Hayes for specific model and part number and assembly drawing.



### REFERENCE DIMENSIONS:



### Optional Pull Rods



Spring no.	Force (lbs.) 0.00" Stroke	Force (lbs.) 1.00" Stroke	Force (lbs.) 2.25" Stroke	PSI* Hold Off	Max PSI
1	300	285	255	270	3675
2	415	387	330	375	3675
3	750	660	515	665	3675
4	1110	984	750	995	3675
5	1395	1195	830	1280	3675
6	1487	1300	1070	1330	3675
7	1865	1670	1310	1670	3675

\*Note: 1 Fluid @ 70° of PSI  
2 Hold off and actuate PSI are not the same.



Hayes Brake LLC  
5800 West Donges Bay Road  
Mequon, Wisconsin 53092  
Phone (262) 242-4300  
Fax (262) 242-0524  
www.hayesbrake.com