

# MECHANICAL BRAKE

## FOR HYDRAULIC WHEEL MOTORS OR SECONDARY STOP, PARK

### M50

#### FEATURES:

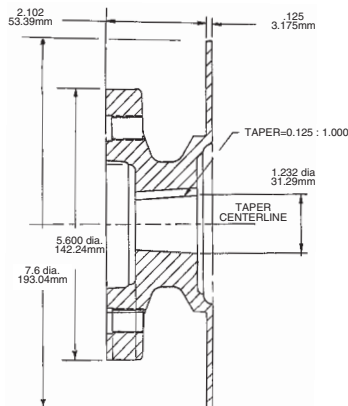
- Capable of 5,000 lbs. of clamp force.
- One piece cast iron housing.
- Efficient ball ramp actuation.
- Sealed actuation mechanism
- Designed to mount in a 10 inch wheel.
- Easy Bolt to plate caliper mounting
- Choice of CW or CCW lever actuation.
- Patented centering design maximizes pad life.

#### TYPICAL SPECIFICATIONS:

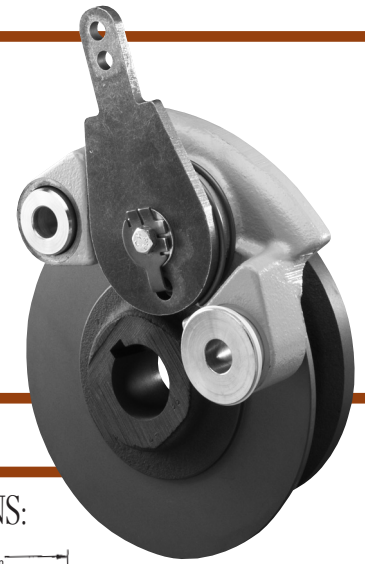
Series .....	M50
Rotor Diameter .....	7.00 to 8.00 in.
Rotor Thickness .....	0.125 or 0.188 in.
Maximum Lever Force @ 3.46 inch Hole .....	216 lbs.
Maximum Lever Stroke .....	120 degrees
Lining Type .....	non asbestos organic
Total Lining Area .....	5.52 sq. in.
Usable Lining Thickness Per Pad .....	0.090 inch
Weight .....	4.25 lb.

#### WHEEL MOTOR HUB-DISC NUMBERS

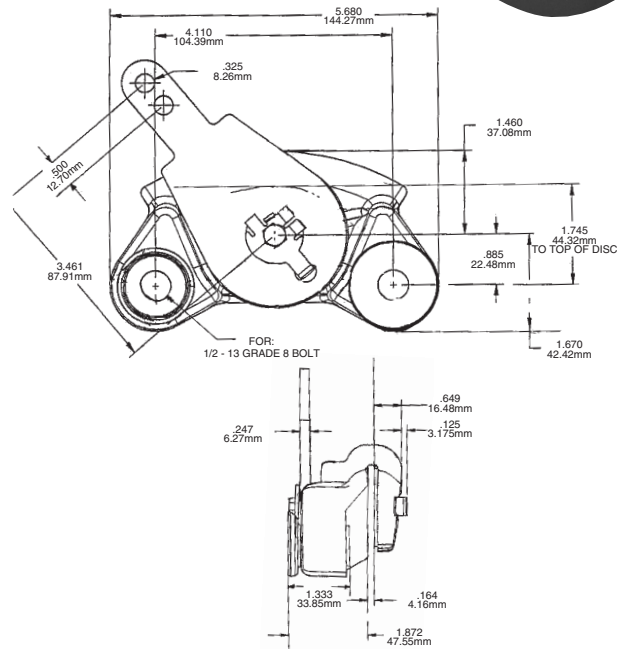
Bolts Size	4-Bolt Wheel on 4" Diameter
	1/2 - 20
	7/16 - 20
Bolts Size	5-Bolt Wheel on 4.5" Diameter
	1/2 - 20
	7/16 - 20
	M12 x 1.5



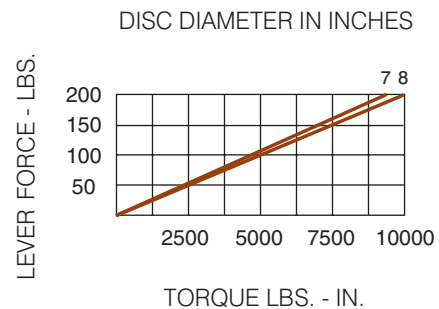
Specifications are guidelines only and subject to change. Consult HB for specific model, part number and assembly drawings.



#### REFERENCE DIMENSIONS:



#### TORQUE INFORMATION:



Formula:  $T = 46.17\mu F \left( \frac{DIA}{2} - 0.86 \right)$  for 3.46" Lever

T = developed torque in lbs.-in. DIA = diameter of rotor in inches  
F = applied lever force in lbs.  $\mu$  = friction coefficient, assume 0.35



HB Performance Systems Inc.  
5800 West Donges Bay Road  
Mequon, Wisconsin 53092  
Phone (262) 242-4300  
Fax (262) 242-0524  
www.hbpsi.com

Printed in USA